

**WARNING**

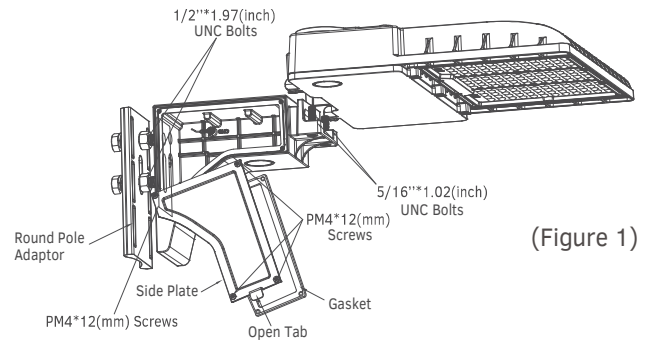
**PLEASE READ ALL INSTRUCTIONS BEFORE ATTEMPTING INSTALLATION**

- To prevent personal injury or product damage only licensed electricians should install.
- To avoid electric shock or component damage disconnect power before attempting installation or servicing.
- This product must be installed in accordance with the national electric code (NEC) and all applicable federal, state and local electric codes and safety standards.
- Disconnect product and allow cooling prior to servicing.
- Any alteration or modification of this product is expressly forbidden as it may cause serious personal injury, death, property damage and/or product malfunction.
- To prevent product malfunction and/or electrical shock this product must be properly grounded.
- This luminaire is designed to operate in ambient temperatures ranging from -40°F to 113°F (-40°C to 45°C) and to be horizontally mounted with the LEDs facing down.
- This product must be installed in accordance with the applicable installation code by a Person familiar with the construction and operation of the product and the hazards involved.
- MIN 167°F (75°C) SUPPLY CONDUCTORS
- CONSULT A QUALIFIED ELECTRICIAN TO ENSURE CORRECT BRANCH CIRCUIT CONDUCTOR
- CAUTION - RISK OF FIRE
- This product is not suitable for several special environments, such as places with corrosive gas liquids or high pressure water vapor.

## Installation Guide

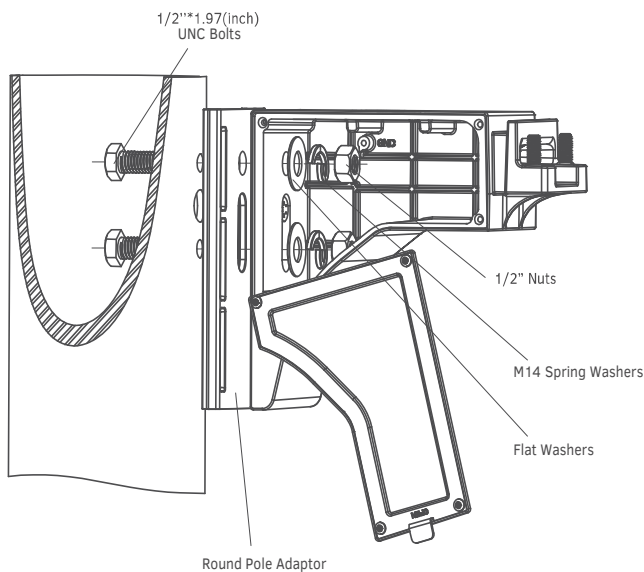
### Square/Round Pole (Figure 1)

1. Loosen the 4 pcs. PM4\*12mm screws and remove the side plate and rubber gasket from the mounting bracket. Please skip to Step 3 if using a Square Pole Mount.
2. If using the Round Pole Adaptor, place the adaptor between the arm and the pole, with the radius side of adaptor towards pole.
3. Pass the 2 pcs. 1/2"\*1.97" hex bolts from inside of the pole through Round Pole Adaptor (if using it) and the back of the arm, slide on flat washers followed by M14 spring washers, tighten 1/2" nuts to 320 in-lbs (36 N\*m).
4. Feed the lead from the arm into the pole and make wiring connections inside the pole as per the wiring diagram on the next page.
5. Feed the fixture cord into the arm. Align threaded mounting holes of fixture with exposed ends of 2 pcs. 5/16"\*1.02" hexagon socket bolts, slide the fixture into the groove of the arm, tighten the bolts to 132 in-lbs (15 N\*m).
6. Inside the arm, make wiring connections between the lead from the fixture and lead from the arm as per the wiring diagram on the next page.
7. Reinstall the side plate and rubber gasket, tightening the screws to 30 in-lbs (3.5 N\*m). The gasket should be sitting flush between the side plate and mount, creating a tight seal around the edges.

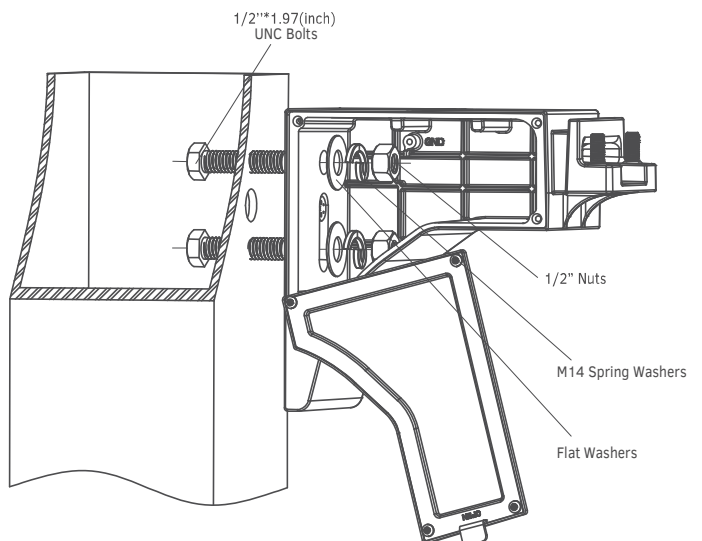


(Figure 1)

### Installation with Round Pole Adaptor

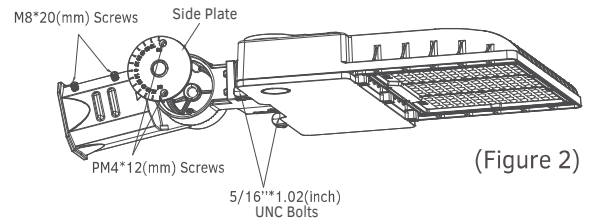


### Installation without Round Pole Adaptor



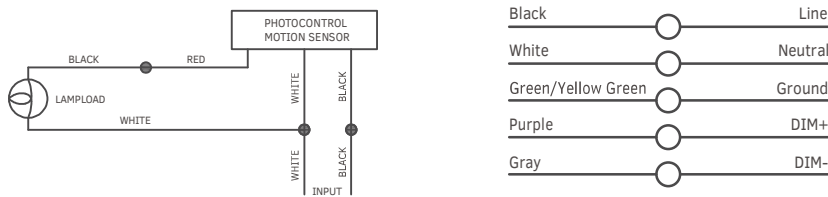
## Slipfitter (Figure 2)

1. Remove the side plate by loosening the 2 pcs. PM4\*12mm screws.
2. Loosen the HM10\*25mm hex bolt, but do not unscrew it. Replace the side plate, tilt the adjustable arm to the desired angle and tighten the HM10\*25mm hex bolt to 240 in-lbs (27 N·m) to lock the adjustable arm in place. Tighten the 2pcs. PM4\*12mm screws to 30 in-lbs (3.5 N·m) to fix the side plate.
3. Feed the fixture wire through the center hole of the adjustable arm and the lower fitter, make wiring connections per the wiring diagram below.
4. Align threaded mounting holes of fixture with exposed ends of 2 pcs. 5/16"\*1.02" hexagon socket bolts, slide the fixture into the groove of the arm, tighten the bolts to 132 in-lbs (15 N·m).
5. Slip lower fitter over 2 - 3/8" (60 mm) o.d. heavy wall pipe or tenon and securely tighten 4pcs. M8\*20mm hexagon head set screws to 132 in-lbs (15 N·m). Make sure not to pinch any leads.

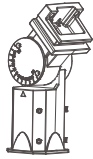
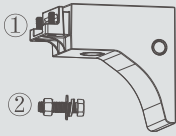
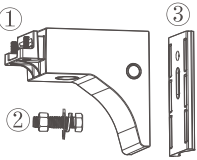


(Figure 2)

## WIRING DIAGRAM



## ACCESSORY LIST

Mounting Type	Accessory	Specifications	Quantity
 Slipfitter Mount	Slipfitter	Adjustable Slipfitter	1
 Square Pole Mount	① Pole Mount Arm	20.2*17.7*9cm Square Pole Mount Arm	1
	② Bolt	# 1/2" x 1.97" Stainless Steel Hexagon Head Bolt	2
 Round Pole Mount	① Pole Mount Arm	20.2*17.7*9cm Square Pole Mount Arm	1
	② Bolt	# 1/2" x 1.97" Stainless Steel Hexagon Head Bolt	2
	③ Adaptor	17.7 x 8.8 x 1.3cm Round Pole Adaptor	1

# SQUARE/ROUND POLE DRILLING TEMPLATE

(Rendering not to scale)

