

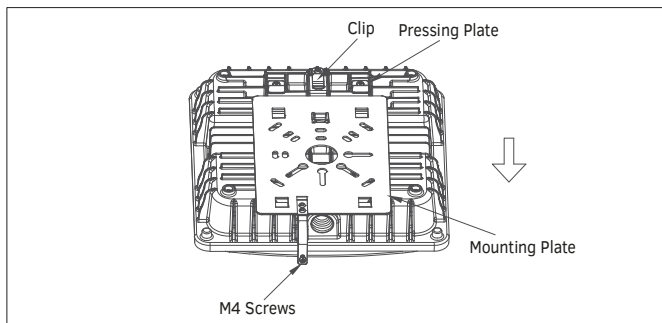
**! WARNING**

PLEASE READ ALL INSTRUCTIONS BEFORE ATTEMPTING INSTALLATION

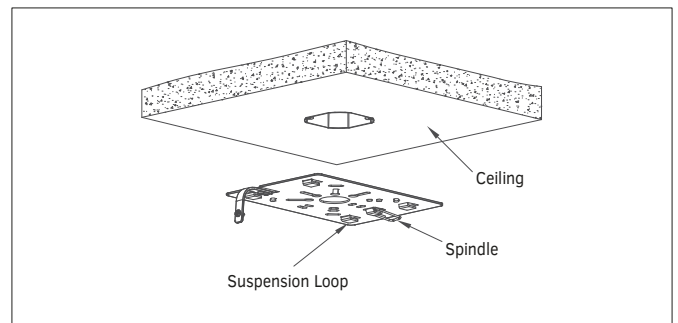
- To prevent personal injury or product damage only licensed electricians should install.
- To avoid electric shock or component damage disconnect power before attempting installation or servicing.
- This product must be installed in accordance with the national electric code (NEC) and all applicable federal, state and local electric codes and safety standards.
- Disconnect product and allow cooling prior to servicing.
- Any alteration or modification of this product is expressly forbidden as it may cause serious personal injury, death, property damage and/or product malfunction.
- To prevent product malfunction and/or electrical shock this product must be properly grounded.
- This luminaire is designed to operate in ambient temperatures ranging from -40°F to 104°F and to be horizontally mounted with the LEDs facing down.
- This product is not suitable for several special environments, such as places with corrosive gas liquids or high pressure water vapor.

**Surface Mounting With J-Box**

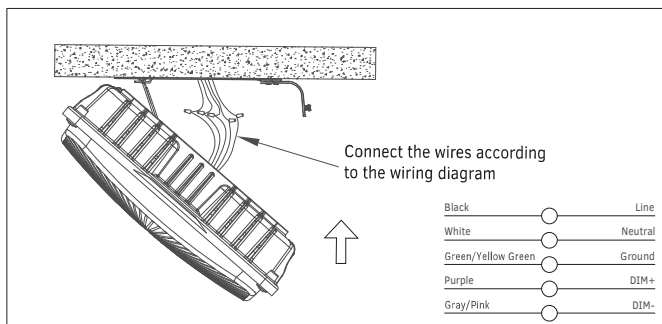
1. Loosen and remove the M4 Screws used to attach the mounting plate to the fixture.



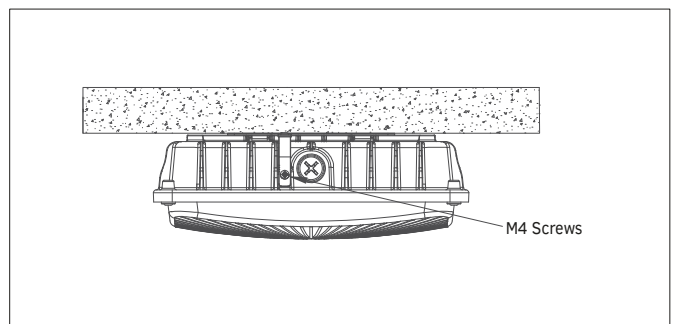
2. Attach the mounting plate to the ceiling using M16 Expansion Bolts or M6 stainless steel screws with plastic anchors (not included).



3. Connect the clip of the fixture to the spindle of the mounting plate to ensure the fixture will not slip and fall. Complete wiring using the wiring diagram, then push the pressing plate into the suspension loop on the mounting plate.



4. Reattach the mounting plate to the fixture using the previously removed M4 Screws.



**Pendant Mounting With 3/4 Inch Conduit**

1. Complete wiring using the wiring diagram.
2. Screw the fixture onto the 3/4 inch conduit (not included) to complete the installation.

