



90W / 130W

Product Overview

The Power & CCT Selectable series GKOPTG4 Post Top Light features Field Adjustable Optics on every model, allowing the lighting professional to easily customize light output directly on site. An integrated button photocell is preinstalled on each fixture and features far micro-infrared sensors to accurately distinguish between fixture light and natural ambient light.

Key Features

CONSTRUCTION:

- Rugged die-cast aluminum housing.
- Housing is completely sealed against moisture and environmental contaminants.
- EPA: 0.34 Sq. Ft.

FINISH:

- The exterior is protected by a rust-resistant powder coat finish that provides superior resistance to weathering and corrosion.

OPTICS:

- Light engines are available in standard 3000K, 4000K and 5000K configurations.
- A range of lumen options available from 5,112 to 16,510 Lumens, replaces up to 400W metal halide.
- PET lens is precisely designed to give a specific light distribution, maximizing efficiency and application spacing.
- Default frosted diffuser or optional prismatic diffuser.
- Field adjustable optics allow selection between Type III, Type IV, and Type V light output.

WARRANTY:

- 5 Year Limited Warranty.



ELECTRICAL:

- Universal 120-277V or 277-480V input voltage.
- Built-in 6kV surge protection with additional optional 10kV (120-277V) or 20kV (277-480V).
- 0-10V dimming driver(s) standard.
- THD: ≤20%, Power Factor: ≥90%.

CONTROLS:

- Power & CCT adjustment controls standard.
- Integrated photocell for additional energy savings, cap to disable.

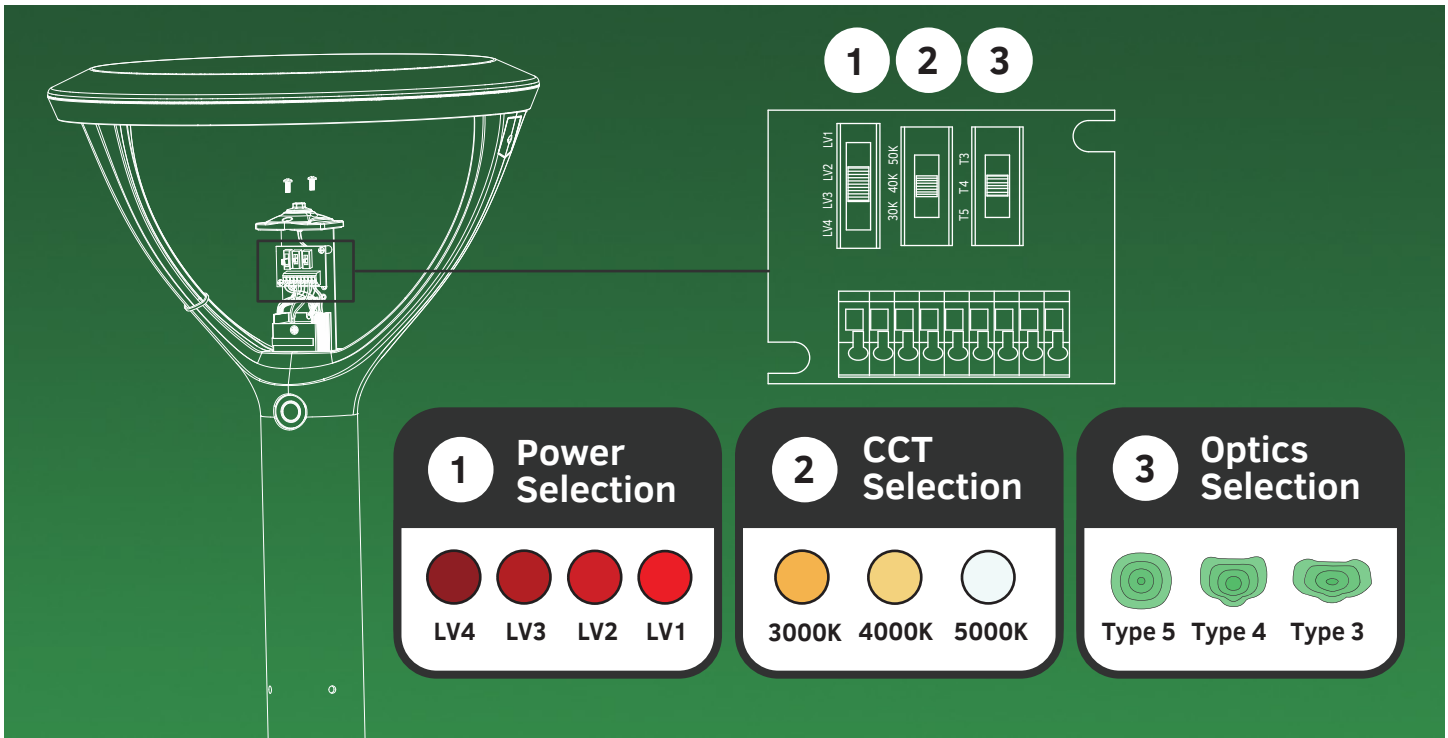
INSTALLATION:

- Suitable for mounting heights ranging from 9'-12'.
- Compatible with round poles with a standard diameter of 3" and, with the durable vibration-resistant pole sleeve adaptor, round poles with a standard diameter of 2 3/8". Also compatible with 4" and 5" square and round poles with optional pole adaptor (sold separately).

LISTINGS:

- DesignLights Consortium® (DLC) Premium qualified (pending).
- UL Wet Location Listed.
- Rated for ambient operating temperature -40°F to 104°F (-40°C to 40°C).

Power & CCT Adjustment Controls / Field Adjustable Optics



Performance Data

Field Adjustable Optics 90W Model - Type 3 / Type 5 Light Distribution

Setting	System Watts	CRI	Lumens (3000K)	Efficacy (3000K)	Lumens (4000K)	Efficacy (4000K)	Lumens (5000K)	Efficacy (5000K)
LV1	90W	80	13000lm	144lm/W	14800lm	164lm/W	13800lm	153lm/W
LV2	72W	80	10700lm	149lm/W	12000lm	167lm/W	11300lm	157lm/W
LV3	54W	80	8300lm	154lm/W	9500lm	176lm/W	8800lm	163lm/W
LV4	36W	80	5700lm	158lm/W	6800lm	189lm/W	6300lm	175lm/W

Field Adjustable Optics 90W Model - Type 4 Light Distribution

Setting	System Watts	CRI	Lumens (3000K)	Efficacy (3000K)	Lumens (4000K)	Efficacy (4000K)	Lumens (5000K)	Efficacy (5000K)
LV1	90W	80	13500lm	150lm/W	15000lm	167lm/W	14200lm	158lm/W
LV2	72W	80	11000lm	153lm/W	12500lm	174lm/W	11700lm	163lm/W
LV3	54W	80	8600lm	159lm/W	10000lm	185lm/W	9300lm	172lm/W
LV4	36W	80	6200lm	172lm/W	7100lm	197lm/W	6600lm	183lm/W

Fixed Optics 90W Model

Setting	System Watts	CRI	Lumens (3000K)	Efficacy (3000K)	Lumens (4000K)	Efficacy (4000K)	Lumens (5000K)	Efficacy (5000K)
LV1	90W	80	10500lm	117lm/W	11500lm	128lm/W	11000lm	122lm/W
LV2	72W	80	9000lm	125lm/W	9500lm	132lm/W	9300lm	129lm/W
LV3	54W	80	7000lm	130lm/W	8200lm	152lm/W	7600lm	141lm/W
LV4	36W	80	5000lm	139lm/W	5800lm	161lm/W	5500lm	153lm/W

Field Adjustable Optics 130W Model - Type 3 / Type 5 Light Distribution

Setting	System Watts	CRI	Lumens (3000K)	Efficacy (3000K)	Lumens (4000K)	Efficacy (4000K)	Lumens (5000K)	Efficacy (5000K)
LV1	130W	80	18000lm	138lm/W	19500lm	150lm/W	18500lm	142lm/W
LV2	104W	80	15200lm	146lm/W	16000lm	154lm/W	15500lm	149lm/W
LV3	78W	80	12000lm	154lm/W	13000lm	167lm/W	12500lm	160lm/W
LV4	52W	80	8500lm	163lm/W	9000lm	173lm/W	8750lm	168lm/W

Field Adjustable Optics 130W Model - Type 4 Light Distribution

Setting	System Watts	CRI	Lumens (3000K)	Efficacy (3000K)	Lumens (4000K)	Efficacy (4000K)	Lumens (5000K)	Efficacy (5000K)
LV1	130W	80	18500lm	142lm/W	20000lm	154lm/W	19500lm	150lm/W
LV2	104W	80	15500lm	149lm/W	16500lm	159lm/W	16000lm	154lm/W
LV3	78W	80	12500lm	160lm/W	13500lm	173lm/W	13000lm	167lm/W
LV4	52W	80	8700lm	167lm/W	9500lm	183lm/W	9100lm	175lm/W

Fixed Optics 130W Model

Setting	System Watts	CRI	Lumens (3000K)	Efficacy (3000K)	Lumens (4000K)	Efficacy (4000K)	Lumens (5000K)	Efficacy (5000K)
LV1	130W	80	15500lm	119lm/W	16500lm	127lm/W	16000lm	123lm/W
LV2	104W	80	12800lm	123lm/W	13500lm	130lm/W	13200lm	127lm/W
LV3	78W	80	10500lm	135lm/W	11000lm	141lm/W	10800lm	138lm/W
LV4	52W	80	7200lm	138lm/W	7600lm	146lm/W	7400lm	142lm/W

Electrical Data

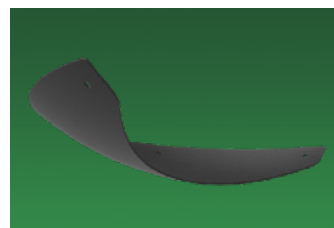
Number Of Drivers	Driver Current (mA)	Nominal Power (W)	Input Voltage (V)	Current (Amps)
1	600	90	120	0.75
		90	208	0.43
		90	240	0.38
		90	277	0.32
		90	347	0.26
		90	480	0.19
1	600	130	120	1.08
		130	208	0.63
		130	240	0.54
		130	277	0.47
		130	347	0.37
		130	480	0.27

Accessories



INTEGRATED PHOTOCELL

Included integrated photocell adds dusk to dawn function for additional energy savings, accurately differentiating between fixture light and natural light using far micro-infrared sensors. Cap photocell to disable dusk to dawn function.



BACKLIGHT CONTROL

Special order backlight control blocks light spillover to comply with local ordinances.

Mounting Options



POLE MOUNT

Default configuration allows mounting on round poles with a standard diameter of 3" and, with the durable vibration-resistant pole sleeve adaptor, round poles with a standard diameter of 2 3/8".



CONDUIT PENDANT MOUNT

Special order configuration allows mounting with a 1/2" or 3/4" conduit pendant.



GOOSENECK MOUNT

Special order configuration allows mounting with a 1/2" or 3/4" gooseneck.



WALL MOUNT

Special order configuration allows mounting to a wall.



SQUARE POLE MOUNT

Special order configuration allows mounting to a square pole.



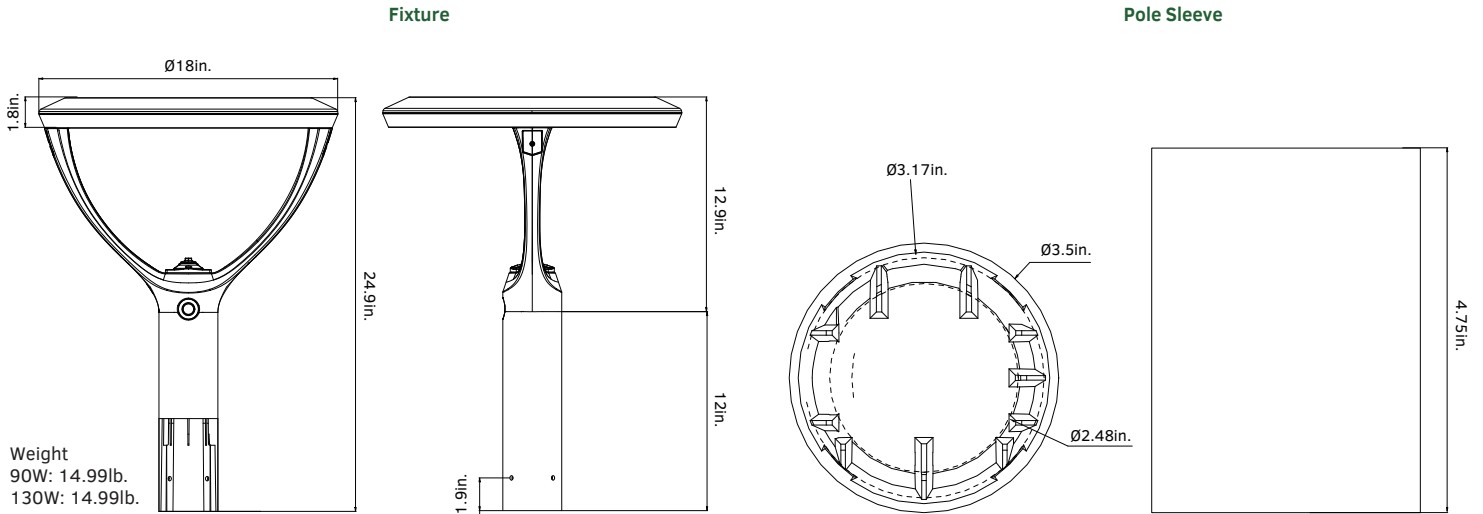
SURFACE MOUNT

Special order configuration allows flush mounting to a surface.

Additional Accessories

POLE BRACKET			
	<p>4" Square Pole Mount with 2-3/8" O.D. Tenon No. 4SQ-SP-D Finish: Dark Bronze For use with square, non-tapered steel and aluminum poles. Furnished with four 5/16" hex head stainless-steel bolts. Vertical tenon measures 2-3/8" O.D., and is made of steel tubing. Fixtures mounted to this bracket can be adjusted both vertically and horizontally.</p>		<p>4" Round Pole Mount with 2-3/8" O.D. Tenon No. 4RQ-SP-D Finish: Dark Bronze For use with Round, non-tapered steel and aluminum poles. Furnished with three 3/8" hex head stainless-steel bolts. Vertical tenon measures 2-3/8" O.D., and is made of steel tubing. Fixtures mounted to this bracket can be adjusted both vertically and horizontally.</p>
	<p>5" Square Pole Mount with 2-3/8" O.D. Tenon No. 5SQ-SP-D Finish: Dark Bronze For use with square, non-tapered steel and aluminum poles. Furnished with four 5/16" hex head stainless-steel bolts. Vertical tenon measures 2-3/8" O.D., and is made of steel tubing. Fixtures mounted to this bracket can be adjusted both vertically and horizontally.</p>		<p>5" Round Pole Mount with 2-3/8" O.D. Tenon No. 5RQ-SP-D Finish: Dark Bronze For use with Round, non-tapered steel and aluminum poles. Furnished with three 3/8" hex head stainless-steel bolts. Vertical tenon measures 2-3/8" O.D., and is made of steel tubing. Fixtures mounted to this bracket can be adjusted both vertically and horizontally.</p>

Dimensions & Weight



Weight
 90W: 14.99lb.
 130W: 14.99lb.

Ordering Information

Post Top Light GKOPTG4						Example: GKOPTG4130W27VDDKYYYYY			
Fixture Type	Wattage	Voltage	CCT	Finish	Photocell	Mounting	Photometry	Adjustment Dial	Internal Code
GKOPTG4	90W 130W	27V 120-277V 48V 277-480V	DDK Power & CCT Selectable	D Dark Bronze* B Black W White	P With Photocell	Blank Pole Mount SQ Square Pole Mount WM Wall Mount GM Gooseneck Mount CM Pendant Mount SM Surface Mount	FD Frosted Diffuser PD Prismatic Diffuser AT Field Adjustable Optics	AD With Adjustment Dial	Blank Alphanumeric

NOTE: *Default finish is dark bronze. All other finishes are special order only.