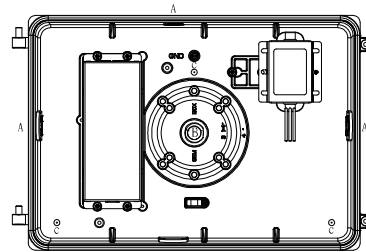


 **WARNING**

1. To avoid electric shock, disconnect power at source prior to installation.
2. The installation should be performed by qualified electricians or lighting technicians.
3. Before conducting any installation, maintenance, or removal, disable all power to the luminaire and wait until the fixture cools down.
4. Do not touch the fixture while it is in service.
5. If there is any problem with the fixture, DO turn off power and DO NOT attempt repair unless you are a qualified technician or the customer service member.

1. Junction Box Mounting

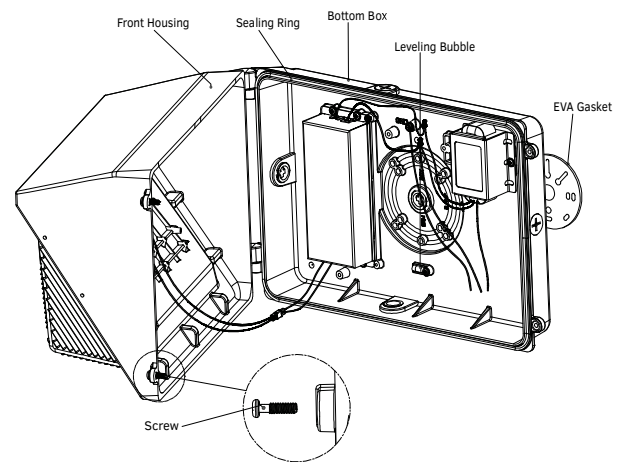
1. Loosen screws and remove the front case set carefully from the back plate. (Angle between front case and back plate varies from 0 degree to 45 degree. Push up to take down the front case.)
2. Remove 1/2" plug in center (B) for wiring, the fixture supports standard 3 1/4" and 4" Junction Box.
3. Attach the back plate on the wall, use the supplied gaskets for a weather tight seal.
4. Finish wiring (Black for Line, White for Neutral and Yellow Green for Ground).
5. Replace the lens set on the hinges, make connections and close the lens set then tighten the screws.



A - 1/2" NPS Tapped Holes
(surface conduit or photo control)
B - 1/2" NPS Tapped Holes
C - 5/16" dia. Screw Hole

2. Conduit Mounting

1. Loosen screws and remove the front case set carefully from the back plate. (Angle between front case and back plate varies from 0 degree to 45 degree. Push up to take down the front case.)
2. Remove 1/2" plug from where you intend to feed conduit.
3. Drill out the holes (C) to secure fixture on the wall with proper screws.
4. Finish wiring (Black for Line, White for Neutral and Yellow Green for Ground).
5. Replace the lens set on the hinges, make connections and close the lens set then tighten the screws.

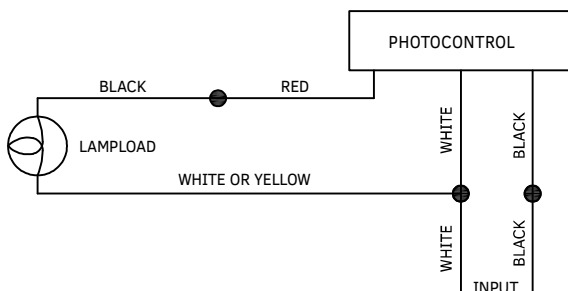


To ensure waterproof seal, Teflon tape should be placed on the threads at the conduit entry point to prevent water entry, as well as weatherproof silicone sealant applied around the edge of the wall mounting box and/or junction box. This is especially important with an uneven wall surface. Silicone all plugs and unused conduit entries.

PHOTOCELL INSTALLATION

Universal voltage driver permits operation at 120V to 277VAC, 60 Hz except fixtures factory ordered with a 120V-277V Photocell (P0).

Install photocell and wire as per diagram.



TROUBLESHOOTING

1. Check that the line voltage at the fixture is correct. Refer to wiring directions.
2. Check that the fixture is grounded properly.
3. Be sure the photocell, if used, is functioning properly.