


**SMALL SIZE:**  
15W / 27W

**MEDIUM SIZE:**  
40W / 65W

**LARGE SIZE:**  
90W / 120W

## Product Overview

Series GKOFDG11 Flood Lights are designed to provide superior performance and efficacy for exterior uplighting applications. Power & CCT Adjustment Controls are standard on all models, enabling the lighting professional to adjust light output to meet varied project requirements.



## Key Features

### CONSTRUCTION:

- Rugged single-piece die-cast aluminum housing with integral heat sink fins.
- Housing has direct contact with the driver to help maintain low temperature and long lifespan.
- Housing is completely sealed against moisture and environmental contaminants.

### FINISH:

- The exterior is protected by a rust-resistant powder coat finish that provides superior resistance to weathering and corrosion.

### OPTICS:

- NEMA 7H\*7V light distribution created by the integrated white reflector.
- Light engines are available in 3000K, 4000K and 5000K configurations.
- A wide range of lumen options available, from 2,100 to 18,000 Lumens, replaces up to 400W metal halide.
- Heat and impact-resistant tempered glass lens.

### ELECTRICAL:

- Universal 120-277V input voltage.
- 2KV surge protection for 120-277V.
- 1-10V dimming driver(s) as default. Dimming wires are connected to the power & CCT adjustment controls and are not accessible from the exterior.
- THD: ≤20%, Power Factor: ≥90%.

### CONTROLS:

- Power & CCT adjustment controls protected by a threaded knockout.
- Included integrated photocell for additional energy savings. Cover photocell with included silicone cap to disable photocell function.

### INSTALLATION:

- Slipfitter, yoke, trunnion, and knuckle mount are available.
- Designed to be suitable for installation by only one person.

### WARRANTY:

- 5 Year Limited Warranty.

### LISTINGS:

- DesignLights Consortium® (DLC) Premium qualified.
- UL listed for wet locations.
- Rated for ambient operating temperature -40°F to 104°F (-40°C to 40°C).

# Performance Data

## Lumen Output

| System Watts | Voltage  | 3000K(70CRI) |          | 4000K(70CRI) |          | 5000K(70CRI) |          |
|--------------|----------|--------------|----------|--------------|----------|--------------|----------|
|              |          | Lumens       | Efficacy | Lumens       | Efficacy | Lumens       | Efficacy |
| 15W          | 120-277V | 2050lm       | 137 lm/W | 2300lm       | 153 lm/W | 2100lm       | 140lm/W  |
| 27W          | 120-277V | 3500lm       | 130lm/W  | 3800lm       | 141m/W   | 3600lm       | 133lm/W  |
| 40W          | 120-277V | 5700lm       | 143lm/W  | 6000lm       | 150lm/W  | 5800lm       | 145lm/W  |
| 65W          | 120-277V | 9200lm       | 142m/W   | 9700lm       | 149lm/W  | 9400lm       | 145lm/W  |
| 90W          | 120-277V | 13400lm      | 149lm/W  | 14500lm      | 161lm/W  | 13500lm      | 150lm/W  |
| 120W         | 120-277V | 17500lm      | 146lm/W  | 19000lm      | 158lm/W  | 18000lm      | 150lm/W  |

## Adjustable Lumen Output Table

|         | 15W          |                | 27W          |                | 40W          |                | 65W          |                | 90W          |                | 120W         |                |
|---------|--------------|----------------|--------------|----------------|--------------|----------------|--------------|----------------|--------------|----------------|--------------|----------------|
| Setting | System Watts | Lumens (5000K) | System Watts | Lumens (5000K) | System Watts | Lumens (5000K) | System Watts | Lumens (5000K) | System Watts | Lumens (5000K) | System Watts | Lumens (5000K) |
| 100%    | 16.3         | 2266           | 27.23        | 3672           | 39.9         | 5846           | 65.5         | 9438           | 94.35        | 13982          | 122.9        | 18092          |
| 80%     | 12.63        | 1790           | 20.4         | 2856           | 29.5         | 4542           | 54.3         | 7824           | 67.9         | 10535          | 98.82        | 15119          |
| 60%     | 10.02        | 1455           | 15.52        | 2234           | 21.94        | 3356           | 41.2         | 5937           | 50.9         | 8144           | 71.28        | 11206          |
| 40%     | 6.15         | 943            | 11.4         | 1690           | 14.3         | 2327           | 27.5         | 3963           | 33           | 5490           | 52.8         | 8581           |

## Electrical Data

| Number of Drivers | Driver Current (mA) | Nominal Power (W) | Input Voltage (V) | Current (Amps) |
|-------------------|---------------------|-------------------|-------------------|----------------|
| 1                 | 230                 | 15                | 120               | 0.13           |
|                   |                     | 15                | 208               | 0.07           |
|                   |                     | 15                | 240               | 0.06           |
|                   |                     | 15                | 277               | 0.05           |
| 1                 | 450                 | 27                | 120               | 0.23           |
|                   |                     | 27                | 208               | 0.13           |
|                   |                     | 27                | 240               | 0.11           |
|                   |                     | 27                | 277               | 0.10           |
| 1                 | 680                 | 40                | 120               | 0.33           |
|                   |                     | 40                | 208               | 0.19           |
|                   |                     | 40                | 240               | 0.17           |
|                   |                     | 40                | 277               | 0.14           |
| 1                 | 1100                | 65                | 120               | 0.54           |
|                   |                     | 65                | 208               | 0.31           |
|                   |                     | 65                | 240               | 0.27           |
|                   |                     | 65                | 277               | 0.23           |
| 1                 | 730                 | 90                | 120               | 0.75           |
|                   |                     | 90                | 208               | 0.43           |
|                   |                     | 90                | 240               | 0.38           |
|                   |                     | 90                | 277               | 0.32           |
| 1                 | 960                 | 120               | 120               | 1.00           |
|                   |                     | 120               | 208               | 0.58           |
|                   |                     | 120               | 240               | 0.50           |
|                   |                     | 120               | 277               | 0.43           |

# Mounting Information

Knuckle (15W/27W/40W/65W)



Trunnion (15W/27W/40W/65W)



Slipfitter (90W/120W)

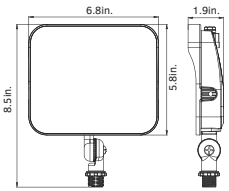


Yoke Mount(90W/120W)



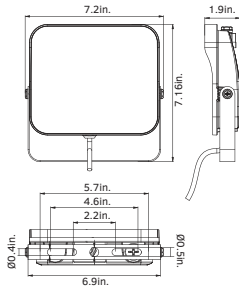
# Dimensions & Weight

15W/27W (Knuckle Mount)



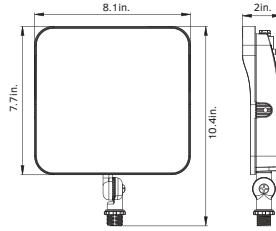
Weight  
15W: 1.775lb.  
27W: 1.775lb.

15W/27W (Trunnion Mount)



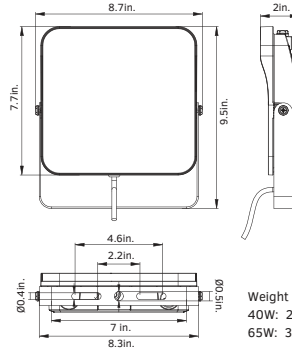
Weight  
15W: 1.918lb.  
27W: 1.918lb.

40W/65W (Knuckle Mount)



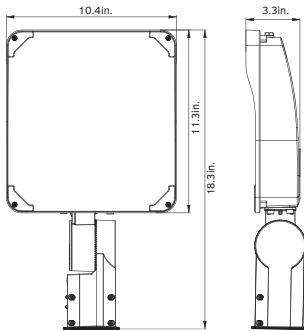
Weight  
40W: 2.712lb.  
65W: 2.866lb.

40W/65W (Trunnion Mount)



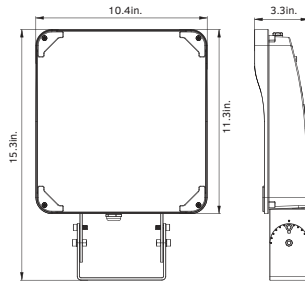
Weight  
40W: 2.972lb.  
65W: 3.126lb.

90W/120W (Slipfitter Mount)



Weight  
90W: 7.388lb.  
120W: 7.388lb.

90W/120W (Yoke Mount)



Weight  
90W: 8.047lb.  
120W: 8.047lb.

# Ordering Information

## Flood Light Series GKOFDG11

Example: GKOFDG1115W27VDDKDB77

| Fixture Type         | Wattage                                     | Voltage              | CCT                  | Finish                              | Photocell            | Mounting  | NEMA                 | Internal Code         |
|----------------------|---|----------------------|----------------------|-------------------------------------|----------------------|---|----------------------|-----------------------|
| <input type="text"/> | <input type="text"/>                        | <input type="text"/> | <input type="text"/> | <input type="text"/>                | <input type="text"/> | <input type="text"/>  | <input type="text"/> | <input type="text"/>  |
| <b>GKOFDG11</b>      | 15W<br>27W<br>40W<br>65W<br><br>90W<br>120W | 27V 120-277V         | DDK Adjustable       | D Dark Bronze<br>B Black<br>W White | P 120-277V Photocell | TR Trunnion Mount<br>KN Knuckle Mount<br><br>YK Yoke Mount<br>SP Slipfitter Mount | B77 7Hx7V            | Blank<br>Alphanumeric |

Note: Not all product variations listed on this page are DLC qualified. Visit [www.designlights.org](http://www.designlights.org) to confirm qualification.



100 E. Crossroads Pkwy. Ste. C  
Bolingbrook, IL 60440  
Phone: 630-793-9449  
Web: [www.gkoled.com](http://www.gkoled.com)