



GKOLED®

POWER & CCT SELECTABLE

CIRCULAR HIGH BAY

SERIES GKOHBG8



100W / 150W / 210W / 230W

Product Overview

Series GKOHBG8 Circular High Bays feature a compact design with exceptional performance for energy-efficient commercial illumination. All models include power & CCT adjustment controls, with an optional plug and play motion sensor.



Key Features

CONSTRUCTION:

- Rugged die-cast aluminum housing with integral heat sink fins.
- Housing is completely sealed against moisture and environmental contaminants.

FINISH:

- The exterior is protected by a black rust-resistant polyester powder coat finish that provides superior resistance to weathering and corrosion.

OPTICS:

- Light engines are available in standard 4000K and 5000K configurations with a 2 CCT control.
- A range of lumen options available from 6,500 to 35,000 Lumens, replaces up to 400W metal halide.
- Impact and UV-resistant polycarbonate lens is precisely designed to give a specific light distribution, maximizing efficiency and application spacing.
- Optional aluminum reflector available for different beam angles.

ELECTRICAL:

- Standard 120-277V input voltage.
- Standard 6KV surge protection.
- 0-10V dimming driver(s) as default for a dimming range of 100% to 10%.
- THD: ≤20%, Power Factor: ≥90%.

CONTROLS:

- Power & CCT adjustment controls standard.
- Optional center-mounted, plug & play multi-level motion sensor - ANT-6-4T.
- Optional motion sensor remote control - required for changing the motion sensor default settings, allows the user to program multiple sensors with ease and program the sensor after the fixture is installed.
- Optional emergency battery backup provides up to 90 minutes of operation during outages.
- Bluetooth networked controls that are DLC NLC qualified, utilizing a Bluetooth SIG mesh network operated with iOS, Android, and web, optional for all models.

INSTALLATION:

- 3/4" conduit entry point supports hook or conduit pendant mounting. Hook is included, conduit is not included.
- Surface mounting with optional Adjustable Surface Mounting Bracket allows precise aiming of the fixture to 0°, 30°, 60°, 90°, 120°, 150°, or 180°.

WARRANTY:

- 5 Year Limited Warranty.

LISTINGS:

- DesignLights Consortium® (DLC) Premium qualified.
- UL Wet Location Listed.
- Rated for ambient operating temperature -40°F to 122°F (-40°C to 50°C).



GKOLED®

100 E. Crossroads Pkwy. Ste. C
 Bolingbrook, IL 60440
 Phone: 630-793-9449
 Web: www.gkoled.com

Performance Data

Lumen Output

100W						
Setting	System Watts	CRI	4000K		5000K	
			Lumens	Efficacy	Lumens	Efficacy
100%	100W	76	14500lm	145lm/W	14500lm	145lm/W
80%	80W	70	13000lm	163lm/W	13000lm	163lm/W
60%	60W	70	10000lm	167lm/W	10000lm	167lm/W
40%	40W	70	7000lm	175lm/W	6500lm	163lm/W

150W						
Setting	System Watts	CRI	4000K		5000K	
			Lumens	Efficacy	Lumens	Efficacy
100%	150W	76	22500lm	150lm/W	22500lm	150lm/W
80%	120W	70	20000lm	167lm/W	19000lm	158lm/W
60%	90W	70	15500lm	172lm/W	14600lm	162lm/W
40%	60W	70	10800lm	180lm/W	10000lm	167lm/W

210W						
Setting	System Watts	CRI	4000K		5000K	
			Lumens	Efficacy	Lumens	Efficacy
100%	210W	70	30000lm	143lm/W	30500lm	145lm/W
80%	168W	70	26500lm	158lm/W	25000lm	149lm/W
60%	126W	70	21000lm	167lm/W	20000lm	159lm/W
40%	84W	70	14500lm	173lm/W	14000lm	167lm/W

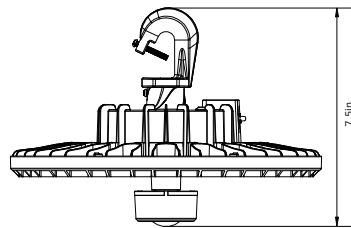
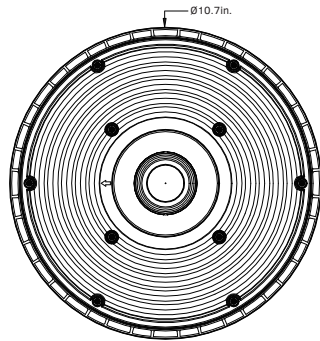
230W						
Setting	System Watts	CRI	4000K		5000K	
			Lumens	Efficacy	Lumens	Efficacy
100%	230W	76	35000lm	152lm/W	35000lm	152lm/W
80%	184W	70	30000lm	163lm/W	29000lm	158lm/W
60%	138W	70	24000lm	174lm/W	23000lm	167lm/W
40%	92W	70	16500lm	179lm/W	16000lm	174lm/W

Electrical Data

Number Of Drivers	Driver Current (mA)	Nominal Power (W)	Input Voltage (V)	Current (Amps)
1	800	100	120	0.83
		100	208	0.48
		100	240	0.42
		100	277	0.36
1	1150	150	120	1.25
		150	208	0.72
		150	240	0.63
		150	277	0.54
1	1700	210	120	1.75
		210	208	1.01
		210	240	0.88
		210	277	0.76
1	1750	230	120	1.92
		230	208	1.11
		230	240	0.96
		230	277	0.83

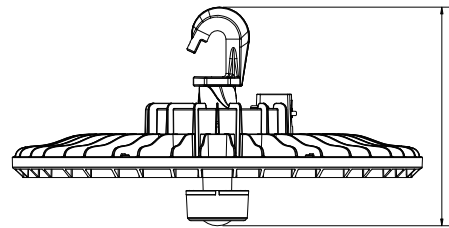
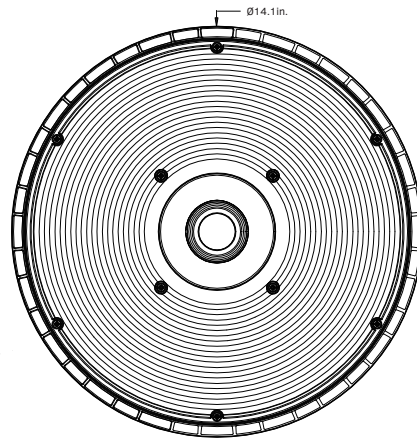
Dimensions & Weight

100W / 150W



Weight:
100W: 3.68lb.
150W: 3.68lb.

210W / 230W



Weight:
210W: 6.53lb.
230W: 6.53lb.

Mounting Options



HOOK MOUNT

Included hook mount features an anti-shedding screw for added security.



PENDANT MOUNT

A 3/4" conduit entry point ensures easy pendant installation.



ADJUSTABLE SURFACE MOUNTING BRACKET

Allows precise aiming of the fixture to 0°, 30°, 60°, 90°, 120°, 150°, or 180°.

Accessories



MULTI-LEVEL MOTION SENSOR

Center-mounted plug & play multi-level motion sensor detects occupancy in an area for additional energy savings.



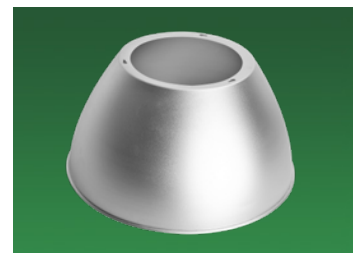
MOTION SENSOR REMOTE CONTROL

Optional remote control is required to program the motion sensor with advanced lighting control options.



EMERGENCY BATTERY BACKUP

Emergency battery backup provides up to 90 minutes of operation during power outages.

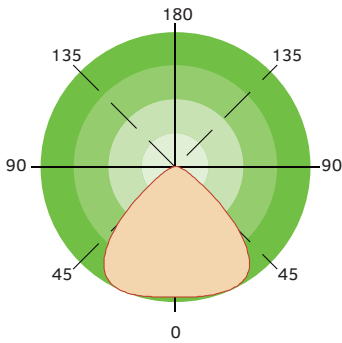


ALUMINUM REFLECTOR

Optional aluminum reflector provides a more focused light distribution.

Light Distribution

General High Bay



Ordering Information

Circular High Bay Series GKOHBG8

Example: GKOHBG8210W27VDDKBM

Fixture Type	Wattage	Voltage	CCT	Finish	Sensor (Optional)	Emergency Battery (Optional)	Adjustment Dial	Internal Code
<input type="text"/>	<input type="text"/>	<input type="text"/>	<input type="text"/>	<input type="text"/>	<input type="text"/>	<input type="text"/>	<input type="text"/>	<input type="text"/>
GKOHBG8	100W 150W 210W 230W	27V 120-277V	DDK Power & CCT Selectable	B Black* D Dark Bronze W White	M With Sensor Blank Without Sensor	B With Emergency Battery Blank Without Emergency Battery	AD With Adjustment Dial Blank Without Adjustment Dial	Blank Alphanumeric 2 With 2 CCTs

NOTE: *Default finish is black. All other finishes are special order only.